



**OUTLAND
TECHNOLOGY**
IMAGING SYSTEMS

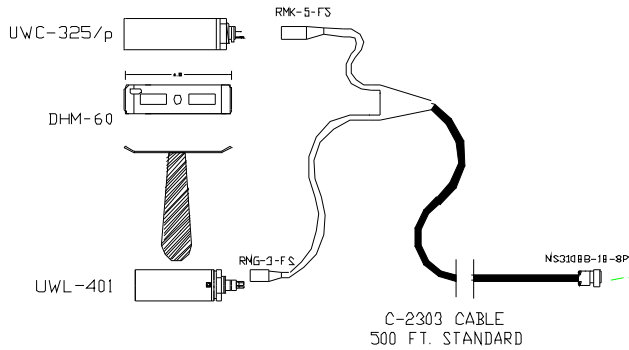
COLOR VIDEO SYSTEM w/LED Light MODEL UWS-3210/3220

(NTSC) (PAL)

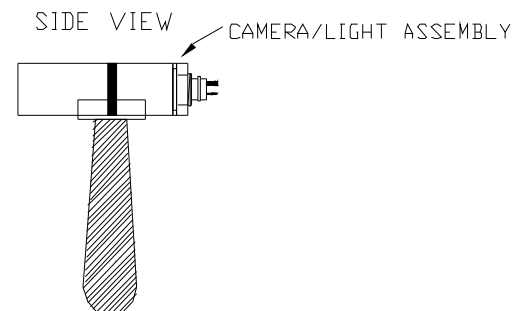
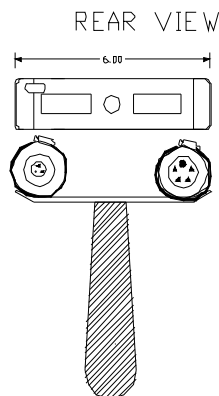
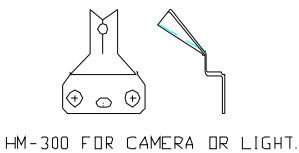
COMPLETE UNDERWATER VIDEO SYSTEM

DEC.09

Specifications subject to change without notice.



OPTIONAL: HELMET MOUNT



STANDARD SYSTEM INCLUDES:

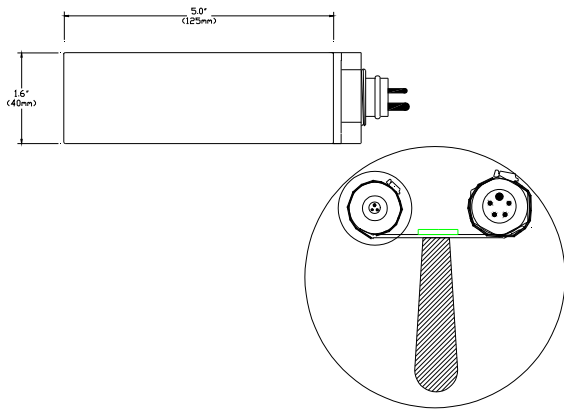
- UWC-325/p, Fixed focus, Color Camera
- UWL-401, LED light
- DHM-60, Bracket/Handle
- C-2303, 500 ft, cable w/all connectors
- CON-3200, 12" LCD Monitor, HDD Recorder, Power supply with Variable light control. All mounted in a weather-resistant shipping case.

MODEL UWS-3210/3220

COMPLETE UNDERWATER VIDEO SYSTEM

TECHNICAL SPECIFICATIONS

CAMERA, MODEL UWC-325/p



MECHANICAL:

- Weight..... 6oz. (.2kg) Dry, 3 oz.(.08kg) Wet.
- Depth Rating...1000 ft. (300m).
- Housing.....Black Delrin

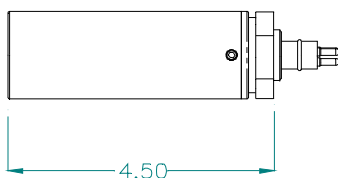
ELECTRICAL:

- Image Device.. 1/3" CCD sensor (ntsc)811h x 508v, (pal) 795h x 596v.
- Sensitivity..... .001 lux @f1.4
- Resolution..... 550 TV lines standard
- Video Out..... 1.2 Vpp .
- Power..... 12 VDC @ 200 ma.

OPTICAL:

- Lens..... 3.6mm, Electronic-Iris
- Focus..... Fixed,4" to Infinity
- Angle of View..... 70 Horz. (in water).

LIGHT, MODEL UWL-401



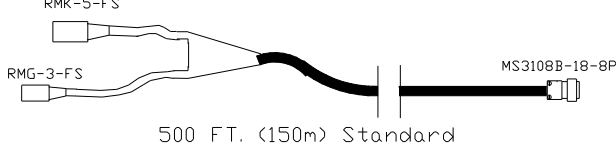
MECHANICAL:

- Weight..... 7oz. (.2kg) Dry, 3 oz.(.1kg) Wet.
- Depth Rating..... 2000 ft. (600m).
- Housing......6061-t6 Anodized Aluminium.

ELECTRICAL:

- Power..... 24 vdc
- Wattage..... 18 watt, (Eq to 150 watt halogen)
- Output 700 lux at 1 meter.

CABLE, MODEL C-2303



- Conductors..... 16 ea. #22 awg, 1 RG-59 Coax
- Length..... 500 ft. (150m) Standard
- Diameter..... .35" (8.5 mm)
- Materials..... Green, Polyurethane jacket.
- Breaking Strength..... 1200 lbs.

CONSOLE, MODEL CON-3200 (ntsc), CON-3200/e (pal)



- Weight..... 45 Lbs. (21kg)
- Size 22"Wx9.5"Hx23"D(550x240x575mm)
- Power..... (CON-3200) 110 VAC/60Hz. (100 watts)
(CON-3200/e) 220 VAC/50 Hz. (100 watts)
- Light Control..... Variable control 0-100%.
- Monitor..... 12" LCD Color w/audio.
- Safety..... Low voltage to Diver.
- Connections..... Front panel connections for umbilical, Audio & Mic.
- Recorder NEW HDD DVR 883 (standard on all consoles now)

OPTIONS:

- Camera,
 1. UWC-300,325/ss, 500.
 2. Optional connectors
- Cable,
 1. User Specified cable lengths.
- Bracket,
 1. HM-300 Helmet mount
- Light, UWL-400 LED light optional. (1010 lux @ 1m, 31 watts)
- Booster, For cable over 1500 ft. to 3000 ft. Mounts in console.
- Video Typewriter, Time/Date, 10 pages of text, and digital control of all cameras.