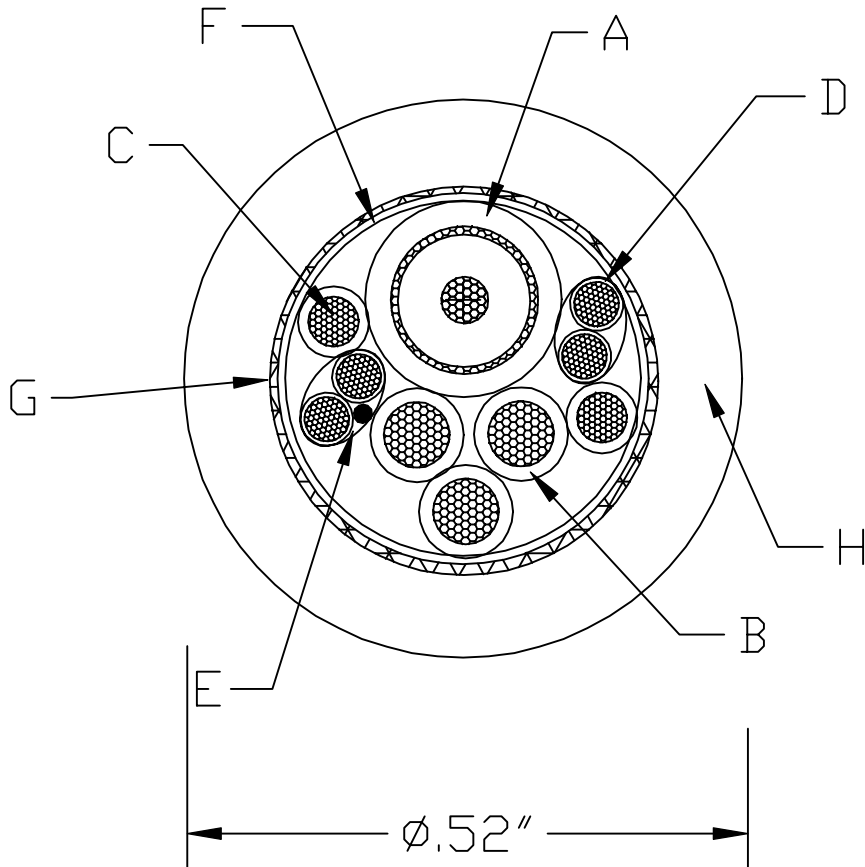


- A- 75 OHM MINI COAX. Cap. 16.6 pf/ft.
22-7 TC, XLPO-FOAM,ALUM+ SPIRAL T.C SHIELD
PVC JACKET. O.D. .150"
- B- 3 X #18 (19/30) T.C. (OR/BL/PUR)
- C- 2 X #22, (19/34) T.C. (WH)
- D- 1 X #24 AWG TP, (19/36) T.C.
- E- 1 X #24 AWG TSP, (19/36) T.C.
Polypropylene INSULATION .010 wall
- F- MYLAR TAPE.
- G- KEVLAR WEAVE
- H- .045" Green Cellular Foam Polyurethane.



NOTE: ALL INSULATIONS TO BE
600 VOLT MINIMUM.

© 2003 OTI

THIS DRAWING AND IT'S SPECIFICATIONS ARE THE INTELLECTUAL
PROPERTY OF
OUTLAND TECHNOLOGY INC., SLIDELL, LOUISIANA, U.S.A.
IT SHALL NOT BE COPIED OR PARTLY COPIED WITHOUT EXPRESSED
WRITTEN PERMISSION FROM OUTLAND TECHNOLOGY, INC.

OUTLAND TECHNOLOGY INC.
38190 COMMERCIAL CT.
SLIDELL, LA. U.S.A. 70458
(985)847-1104, FAX 1106

TITLE C-3100, NEUTRAL, ROV & CAMERA CABLE		
SIZE A	DOCUMENT NUMBER 0011011	REV C
DATE: June 2003	SHEET	