

## DUAL CAMERA SYSTEM WITH PICTURE IN PICTURE.

### STANDARD SYSTEM INCLUDES:

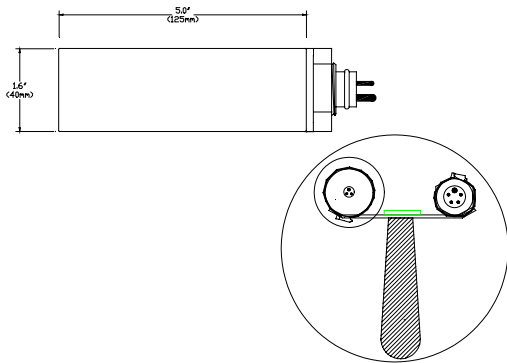
- 2 EA. UWC-325/p, Fixed focus, Color Camera
- 2 EA. UWL-400, LED light
- 2 EA. DHM-60, Bracket/Handle
- 2 EA. C-2303, 500 ft, cable w/all connectors
- CON-3210/D, 12" Color Monitor, HD/DVD Recorder, PIP, Power supply w/ variable light control. All mounted in a weather-resistant shipping case.

# MODEL UWS-3210/D

COMPLETE UNDERWATER VIDEO SYSTEM

## TECHNICAL SPECIFICATIONS

### CAMERA, MODEL UWC-325/p



#### MECHANICAL:

- Weight..... 6oz. (.2kg) Dry, 3 oz. (.08kg) Wet.
- Depth Rating...1000 ft. (300m).
- Housing.....Black Delrin

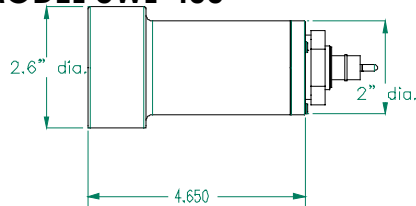
#### ELECTRICAL:

- Image Device.. 1/3" CCD sensor (768h x 494v).
- Sensitivity..... .01 lux @f1.2
- Resolution..... 480 TV lines standard
- Video Out..... 1.2 Vpp, NTSC standard (PAL option).
- Power..... 12 VDC @ 200 ma.

#### OPTICAL:

- Lens..... 3.6mm, Electronic-Iris
- Focus..... Fixed, 4" to Infinity
- Angle of View..... 70 Horz. (in water).

### LIGHT, MODEL UWL-400



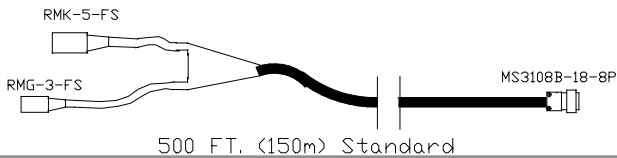
#### MECHANICAL:

- Weight..... 21oz. (.60kg) Dry, 20 oz. (.48kg) Wet.
- Depth Rating..... 2000 ft. (600m).
- Housing.....ANODIZED 6061T6 ALUMINUM

#### ELECTRICAL:

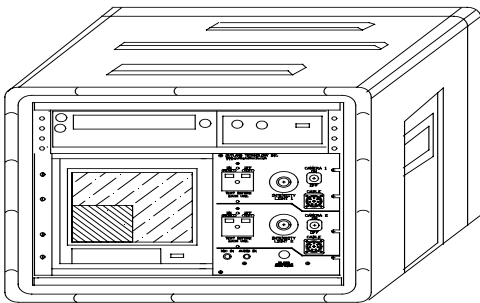
- Power..... 24 VDC
- Color Temp..... 5500k
- Output ..... 550 lux @ 1 meter

### CABLE, MODEL C-2303



- Conductors..... 14 ea. #22 awg, 1 RG-59 Coax
- Length..... 500 ft. (150m) Standard
- Diameter..... .35" (8.5 mm)
- Materials..... Green, Polyurethane jacket.
- Breaking Strength..... 1200 lbs.

### CONSOLE, MODEL CON-3200/D



- Weight..... 50 Lbs. (23kg)
- Size ..... 23" x 23" x 15"
- Power..... 110 VAC/60Hz, fused at 3 amperes.
- Light Control..... Variable control 0-100%,
- Monitor..... 12" LCD Color w/audio.
- PIP (picture-in-picture), 2 inputs
- Safety..... GFI for main power,  
LIM to monitor umbilical,  
Isolation transformer for light.
- Connections..... Front panel connections for umbilical,  
Audio & Mic.
- Recorder..... HARD DRIVE/DVD format (standard)

#### OPTIONS:

- Camera,
  1. UWC-300,325/ss, 350,400.
  2. Optional connectors
- Cable,
  1. User Specified cable lengths.
- Bracket,
  1. HM-300 Helmet mount
- Recorder,
  1. DVD/VHS recorder.
- Video Typewriter, (On one camera only)  
Time/Date, 10 pages of text,  
and digital control of all cameras.