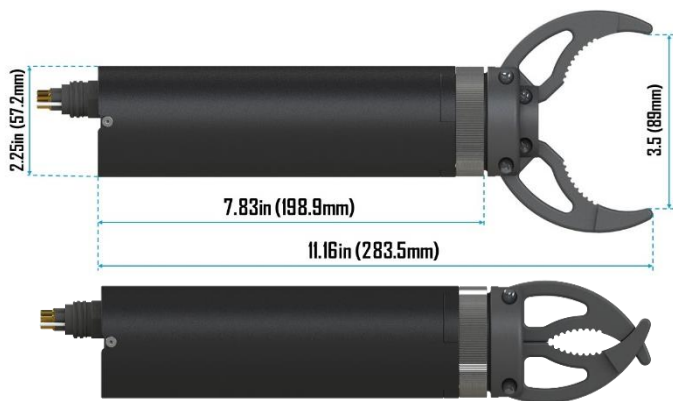


- TWO FUNCTION MANIPULATOR
- QUICK CHANGE TOOLS
- 2000 FT (600M) DEPTH RATED
- DURABLE & RELIABLE DESIGN
- HIGH GRIPPING FORCE




MECHANICAL:

Linear Actuator Force.....	700 lb (317.5 kg)
Linear Actuator Speed.....	0.278 in/s (7 mm/s)
Standard Jaw Grab Force.....	70 lb (31.8 kg)
Standard Jaw Close Speed.....	1.36 sec
Diameter.....	2.25 in (57.15 mm)
Weight in air.....	2.12 lb (0.96 kg)
Weight in water.....	1 lb (0.45 kg)
Wrist Rotation Speed (Unloaded).....	180°/sec
Depth Rating.....	2,000 ft (~600 m)
Housing Material.....	Aluminum & Delrin
Operating Temperature.....	33°F to 135°F (0.5°C to 57°C)

ELECTRICAL:

Input Voltage.....	24 VDC
Power.....	120 Watts MAX

CONNECTOR:

Standard Connector.....	MCBH4MT
1. Power Return	
2. Power (+)	
3. DATA +	
4. DATA -	
Mate for Standard Connector.....	MCIL4FS
COMS.....	RS485

OPTIONS:

1. MPH-201 | Trident 3 jaws
2. MPH-202 | Small interlocking 2 jaw (Standard)
3. MPH-204 | Cutter Head (COMING SOON)
4. MPH-205 | Viper Seach & Recovery Jaws

Note: See jaw datasheets for the specification for the other jaws.

NOTABLE FEATURES:

- Basic controls and easy integration
- Multi-angle mounting solutions available
- All electric design
- Built with commercial use intent
- One year warranty