

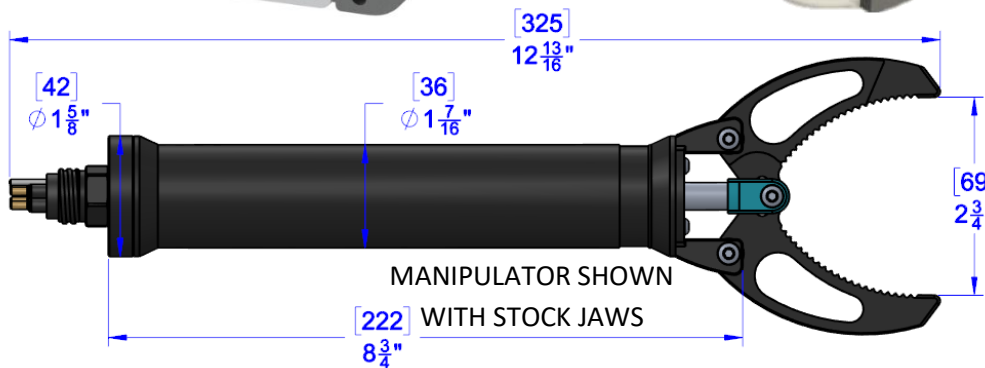
- **SINGLE FUNCTION GRABBER**
- **1000FT (300 METER) DEPTH RATED**



OPTIONAL LARGE  
GRIPPER HEAD, MPH-201

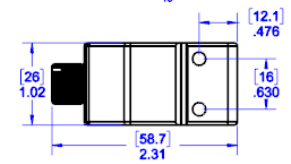
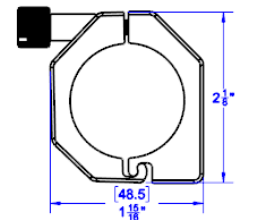


MANIPULATOR  
SHOWN WITH  
OPTIONAL LARGE  
JAWS



MANIPULATOR SHOWN

WITH STOCK JAWS



MOUNT

## APPLICATIONS INCLUDE: UNDERWATER VEHICLE

### MECHANICAL:

Main Body Diameter.....	1.42 in. (36 mm)
Length (excl. connector & jaws).....	8.75 in. (222 mm)
Weight in air.....	22 oz. (616 g)
Weight in seawater.....	9.2 oz. (260 g)
Linear Actuation Time (Unloaded).....	1.6 sec
Push Rod Axial Force.....	6.6 lbs (3 kg)
Push Rod Travel.....	59 in (15 mm)
Grip Force at Tip of Stock Jaws.....	22 lbf (97 N)
Depth Rating.....	1,000 ft. (300 m)
Housing Material.....	Aluminum 6061-T6 & Delrin

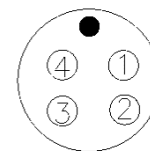
### ELECTRICAL:

Nominal Input Voltage.....	24 VDC
Running Amps.....	0.5A
Max Amps.....	3A

### CONNECTOR:

Standard Connector..... MCBH4M-AL

1. Power Return
2. Power (+)
3. DATA +
4. DATA -



Mate for Standard Connector..... MCIL4F

### OPTIONS:

1. MPH-201, Large Gripper Jaws