

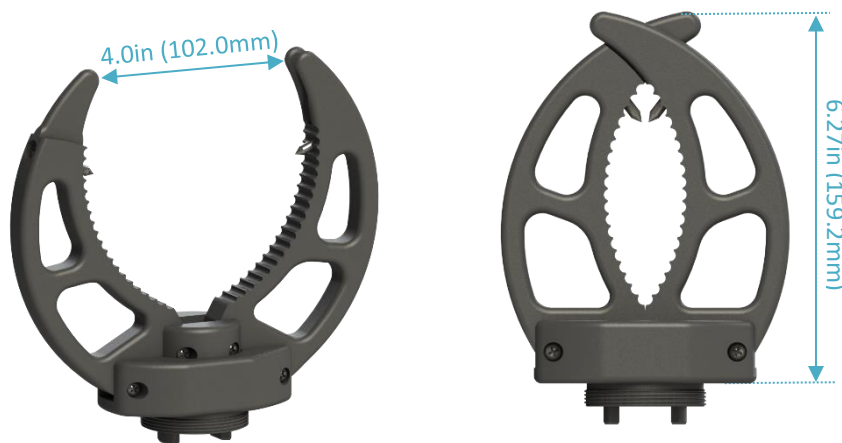
MPH-201 | TRIDENT JAWS

- GRABBING FORCE AT CENTER: 80 LBS (36.3 KG)
- MATERIAL: DELRIN
- MAX OPENING WIDTH: 4.33IN (110MM)



MPH-202 | SMALL INTERLOCKING JAWS

- GRABBING FORCE AT CENTER: 70 LBS (31.8 KG)
- MATERIAL: DELRIN
- MAX OPENING WIDTH: 3.52IN (89.3MM)



MPH-205 | SEARCH AND RECOVERY JAWS

- GRABBING FORCE AT CENTER: 120 LBS (54.4 KG)
- MATERIAL: DELRIN
- MAX OPENING WIDTH: 4.0 IN (102MM)