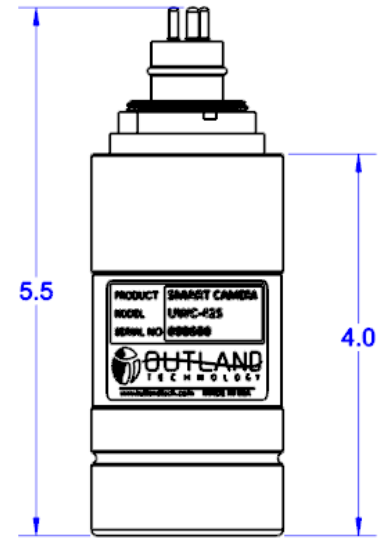
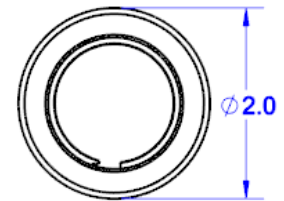


- **BUILT-IN DEPTH SENSOR (30 bar standard)**
- **BUILT IN TEMPERATURE SENSOR**
- **BUILT IN COMPASS**
- **STANDARD TETHER AND CONNECTOR**
- **SD or HD**
- **COLOR or BW**
- **COMPACT SIZE**



TOP VIEW



FRONT VIEW

USES INCLUDE: DIVER, ROV, DROP CAMERA, TOW SLED, ETC.

MECHANICAL:

Diameter.....2.0 in. (51 mm)
 Length (excluding connector).....4 in. (102 mm)
 Weight in air.....10.8 oz. (0.31 kg)
 Weight in seawater.....2.5 oz. (0.07 kg)
 Depth Rating.....1,000 ft. (305 m)
 (limited to 1000ft. (305 m) by the standard depth sensor; see Options)
 Temp. Sensor Rating.....-4°F - 220°F (-20°C - 100°C)
 Housing Material.....Delrin
 Port Material.....Acrylic

CAMERA PROPERTIES:

Image Device.....1/2.8" SONY 2.1MP CMOS Sensor
 Sensitivity.....001 lux
 Resolution.....2MP 1080/960H
 Lens.....3.6 mm, F1.2
 Focus.....Fixed
 Horizontal FOV (in water).....70 degrees
 Standard Format.....NTSC

***(actual camera Specification may vary)**

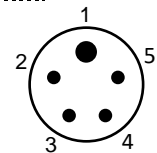
ELECTRICAL:

Input Voltage.....12-30 VDC
 Power.....80 mA (typical) @ 12 VDC

CONNECTOR:

Standard Connector.....XSK-5-BCL
 Mate for Standard Connector.....RMK-5-FS

1. Video
2. Ground / Common
3. Power (+12V)
4. Com+
5. Com-



Looking at the male pins on the back of the camera

OPTIONS:

1. PAL Format
2. Standard Definition 480i Camera
3. 50 bar Depth Sensor (up to 1,650 ft / 500 m)
4. 100 bar Depth Sensor (up to 3,300 ft / 1000 m)
5. Port Material