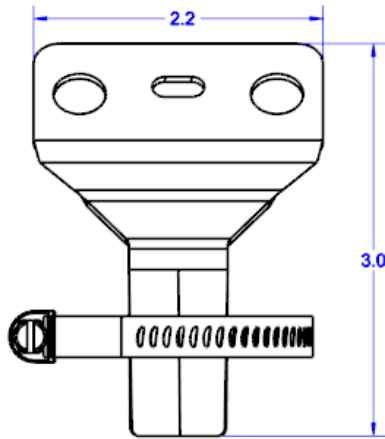
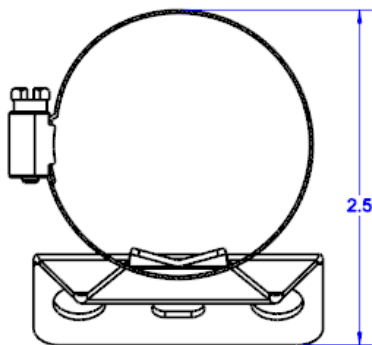


- DIVE HELMET MOUNTING BRACKET
- ALL 316 STAINLESS STEEL CONSTRUCTION
- MOUNTS USING HELMET ACCESSORY PORT SCREWS
- DOES NOT IMPACT FACE PORT SCREWS



TOP VIEW



FRONT VIEW



DIVE HELMET, LIGHT & CAMERA NOT INCLUDED



USES INCLUDE: DIVE HELMET CAMERA OR LIGHT MOUNTING

**MECHANICAL:**

Clamp Diameter Range.....	1.44 in. to 2.0 in.
Weight in air.....	0.1 lb. (0.05 kg)
Weight in seawater.....	.09 lb. (0.04 kg)
Depth Rating.....	Full Ocean Depth
Material.....	Stainless Steel
Worm Clamp Drive.....	slotted / ¼ in. hex