

38190 Commercial Ct., Slidell, LA 70458 USA

Model # _____

Serial # _____

Date Purchased: _____

Notes: _____

CONTENTS

Page 4	Limited Warranty
Page 5	Operating instructions
Page 6	Cable wiring schematic
Page 7	UWC-330/p diagram
Page 8	UWL-401 diagram
Page 9	Troubleshooting flow chart guide
Page 10-14	Monitor Instructions/Specs
Pages 15-16	DC Option Instructions
Pages 17	Mounting Bracket Options

LIMITED WARRANTY

Outland has a strong commitment to high quality production. Each product has a twelve (12) month limited warranty against defects in workmanship or materials with the exception of those outlined in the limitations and exclusions. Outland will repair or replace at its discretion the defective components.

Limitations and Exclusions

- The limited warranty does not cover damage caused by improper use, poor maintenance or accidental damage of the product or its components.
- The limited warranty does not cover items subject to wear including but not limited to view ports, o-rings, umbilical and propellers unless found to be defective in workmanship and/or materials.
- The limited warranty does not cover any modification made to these products without authorization from Outland Technology Inc.
- The limited warranty does not cover lamps.
- The limited warranty does not cover components damaged due to incorrect power connection per user's manual.

The limited warranty does not cover items not actually built by Outland. Example (DVR recorder, Monitor etc.). Those items would be covered by the manufacturer's warranty.

Advertising claims made by us represent our honest opinion of the qualities and features offered by the products described. We disclaim any warranties expressed or implied, including warranties of merchantability and fitness for a particular purpose, except as provided herein. In no event shall Outland Technology be liable for consequential damages of any kind.

Shipping

- All returns for warranty service must be authorized by Outland. You must call or email Outland for a RMA# (Returned Materials Authorization) . The assigned RMA number which must be clearly indicated on each item returned for service.

For warranty shipping within the first 30 days, Outland will pay for ground shipment on domestic orders incoming and outgoing to a maximum of \$75.00 each way. International shipments will be credited up to \$75.00 US for incoming and outgoing freight charges to Outland Technology, Inc.

During the first 30 days of the warranty period, should faster delivery service be requested, a \$75.00 US credit towards expedited freight for each applicable leg will be given.

After 30 days the client is solely responsible for shipping to and from Outland Technology Inc.

Operating Instructions

All connections from the Control Unit, DVR & Monitor, should already be connected. In the event there is a problem, drawing # 0010550 shows how those items connect.

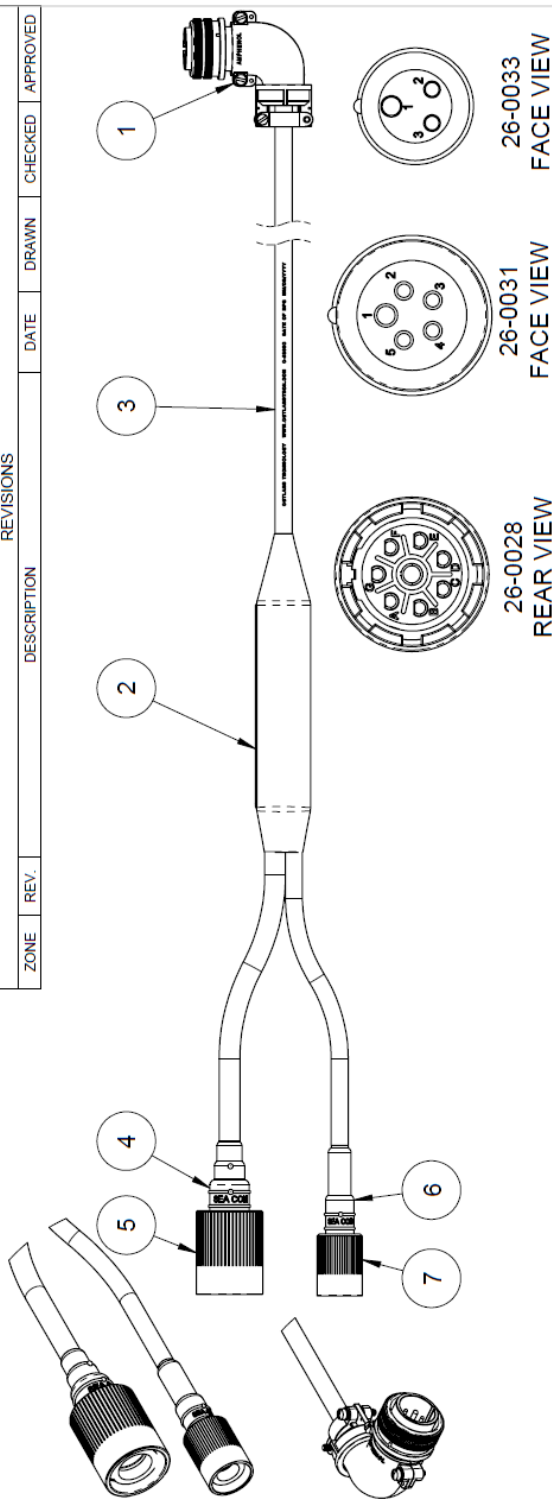
Power requirements: 110VAC to 250VAC 50/60hz (DC versions 12 to 24 VDC)

1. Plug divers side end of umbilical into camera and light (Be sure to use a good quality silicon grease for lubrication).
2. Plug topside end of umbilical into control unit connector on front panel.
3. After verifying input power is correct, ensure camera and light switches are in off position.
4. Plug console into power source.
5. Turn camera switches on. A picture should appear within a few seconds after the DVR has gone through a brief power up sequence.
6. Ensure "Light Intensity" is at "Min" position. Turn control up to test light. Turn back to Min. to switch off.

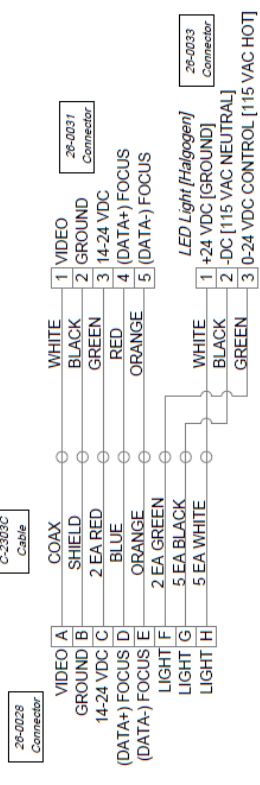
CAUTION:

- If light is operated out of water, the housing may become hot to the touch. Light intensity will be automatically adjusted to prevent extreme overheating.
- When operating on AC power: Power source must be properly grounded. Use the green wire (provided) to ensure the console is properly grounded to earth.
- Console is NOT waterproof. Avoid exposure to rain, salt spray, waves, etc.

ZONE	REV.	DESCRIPTION	DATE	DRAWN	CHECKED	APPROVED
------	------	-------------	------	-------	---------	----------



ITEM NO.	PART NUMBER	DESCRIPTION	QTY.
1	26-0028	Right Angle, 8-Pin Cable End Connector	1
2	82-F1 Splice	Straight Splice mold	1
3	C-2300C	Underwater Video & Light Cable	1
4	26-0031	Connector Cable 5 Pin Female RMK-5-FS	1
5	26-0029	Female Locking Sleeve 1.45" O.D.	1
6	26-0033	Connector Cable 3 Pin Female RMG-3-FS	1
7	26-0030	Female Locking Sleeve 0.99" O.D.	1



WIRING DIAGRAM

NOTES:

- ASSEMBLE PER ASSEMBLY PROCEDURE: 41-0004



TITLE	
DIVER CAMERA AND LIGHT CABLE	
SIZE	MODEL NUMBER
A	C-2303
REV	B1
SCALE: 1:1	ASSY NUMBER:
0.836	SHEET 1 OF 1

THIRD ANGLE PROJECTION

PROPRIETARY AND CONFIDENTIAL
 THE INFORMATION CONTAINED IN THIS DRAWING IS THE SOLE PROPERTY OF OUTLAND TECHNOLOGY, INC. SUIDELL, LOUISIANA, U.S.A. ANY REPRODUCTION IN PART OR AS A WHOLE WITHOUT THE WRITTEN PERMISSION OF OUTLAND TECHNOLOGY, INC. IS PROHIBITED.

UWC-330/P

Underwater Camera



MECHANICAL:

Diameter.....1.62 in. (41 mm)
 Length (excluding connector)......5in. (127 mm)
 Weight in air.....9.8 oz. (0.28 kg)
 Weight in seawater.....3.1 oz. (0.09 kg)
 Depth Rating.....6560 ft. (2000 m)
 Housing Material.....Delrin
 Port Material.....Acrylic

ELECTRICAL:

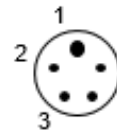
Input Voltage.....12 VDC
 Power.....160 mA @ 12 VDC

CONNECTOR:

Standard Connector.....XSK-5-BCL
 Mate for Standard Connector.....RMK-5-FS

PINOUT:

1. (White) Video
2. (Black) Ground / Common
3. (Green) Power (+)
4. (Red) Data +
5. (Orange) Data -



OPTIONS:

- PAL (50hz) Format (UWC-330/P/E)
- Customer-specified connector

Image Device	1/2" Sony IMX 385
Sensitivity	0.017 lux
Resolution	Digital 1080P AHD
Lens	6 mm, F1.6
Focus	Fixed
Standard Format	NTSC (60hz)
Horizontal FOV	approx. 70 degrees in water

UWL-401

Underwater Light



**CAUTION: EXTREMELY BRIGHT
DO NOT LOOK DIRECTLY INTO LIGHT!**

MECHANICAL:

Diameter.....1.62 in. (41 mm)
Length (excl. connector).....4 in. (102 mm)
Weight in air.....7.7 oz. (0.22 kg)
Weight in seawater.....2.8 oz. (0.08 kg)
Depth Rating.....6560 ft. (2000 m)
Housing Material.....Anodized Aluminum
Port Material.....Glass

ELECTRICAL:

Input Voltage.....24 VDC
Power.....20 Watts

LIGHT PROPERTIES:

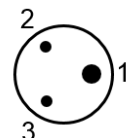
Light Output.....960 lux @ 1 m
(2150 lumens; Equiv. to 150 Watt Halogen)
Color Temperature.....3000K
Beam Angle.....100 degrees

CONNECTOR:

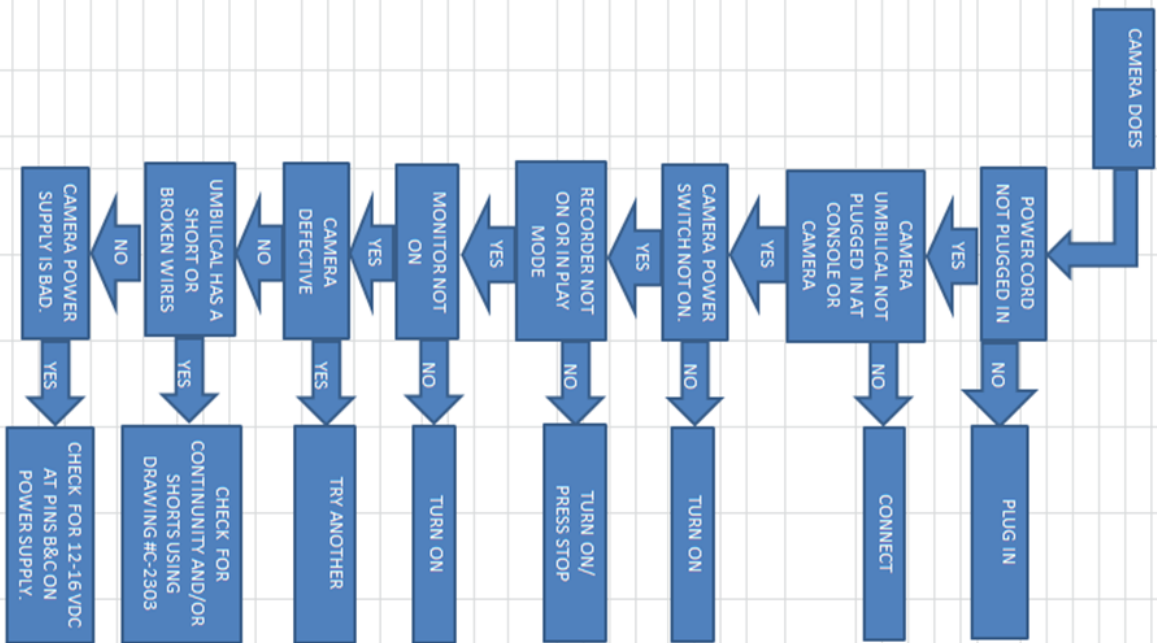
Standard Connector.....XSG-3-BCL Special
Mate for Standard Connector.....RMG-3-FS

PINOUT:

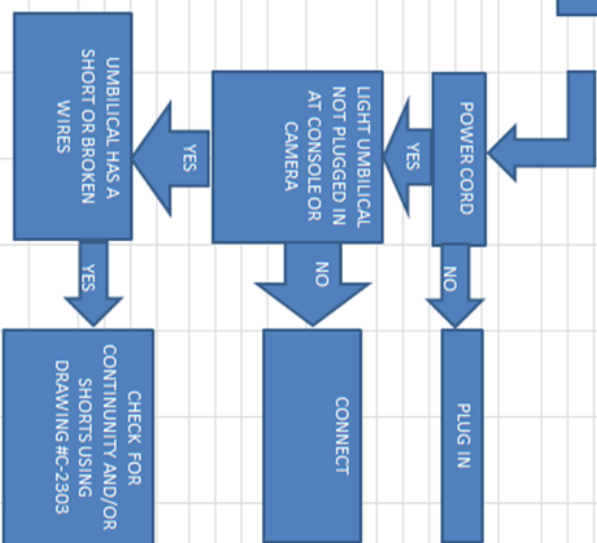
1. Power (+)
2. Ground / Common
3. 0-24 VDC Control



TROUBLESHOOTING GUIDE



LIGHT DOES NOT COME ON.



15.6” Sun Readable Monitor - Open Frame

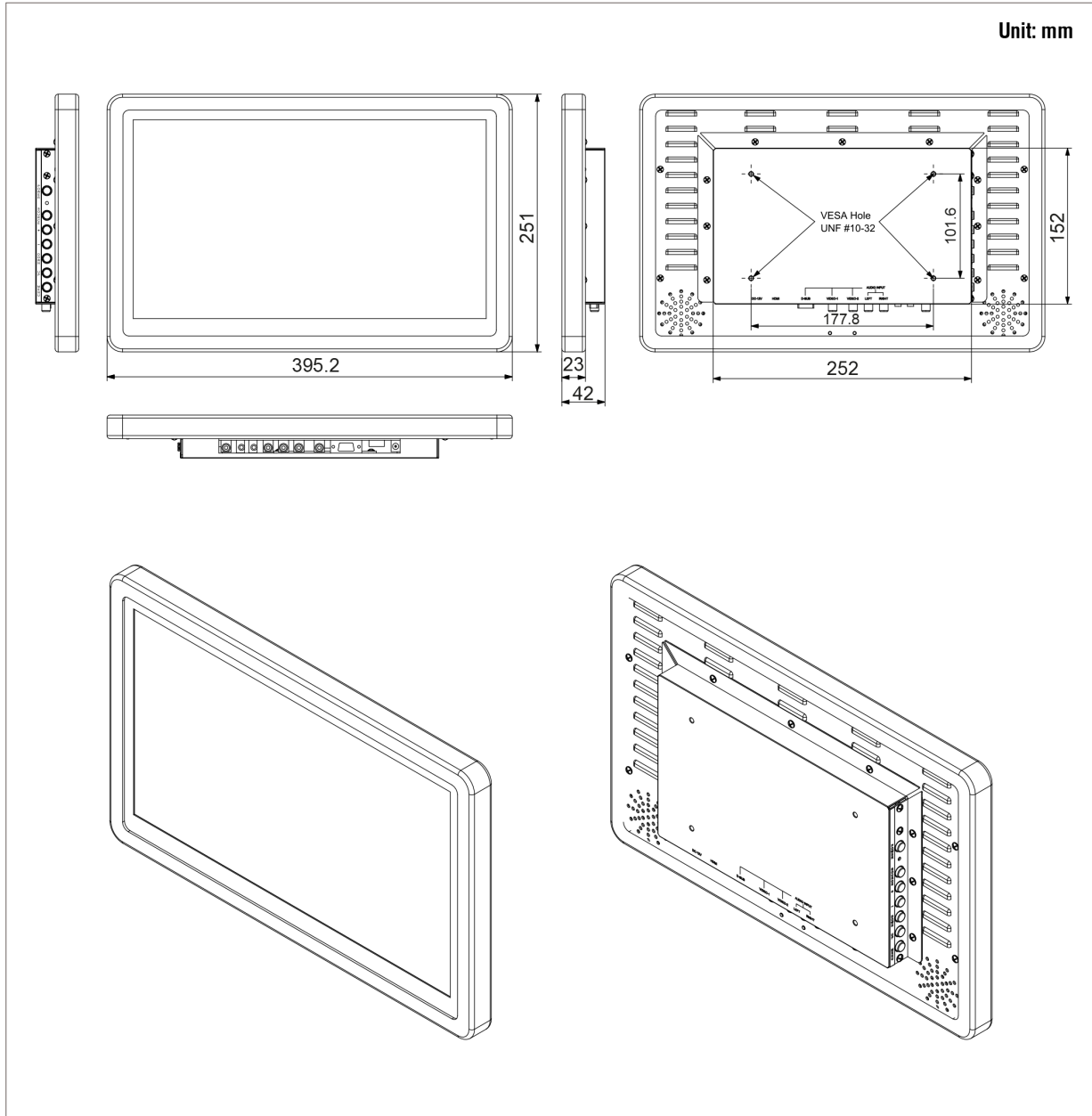
- High resolution 1920 × 1080 (16:9)
- 16.7M colors for true color rendition
- Multiple inputs - composite video, D-sub, HDMI
- Contrast ratio of 700:1
- Brightness of 1400cd/m²
- Wide viewing angle
- On-screen menu display for feature and video adjustments
- Power supply included
- Speaker



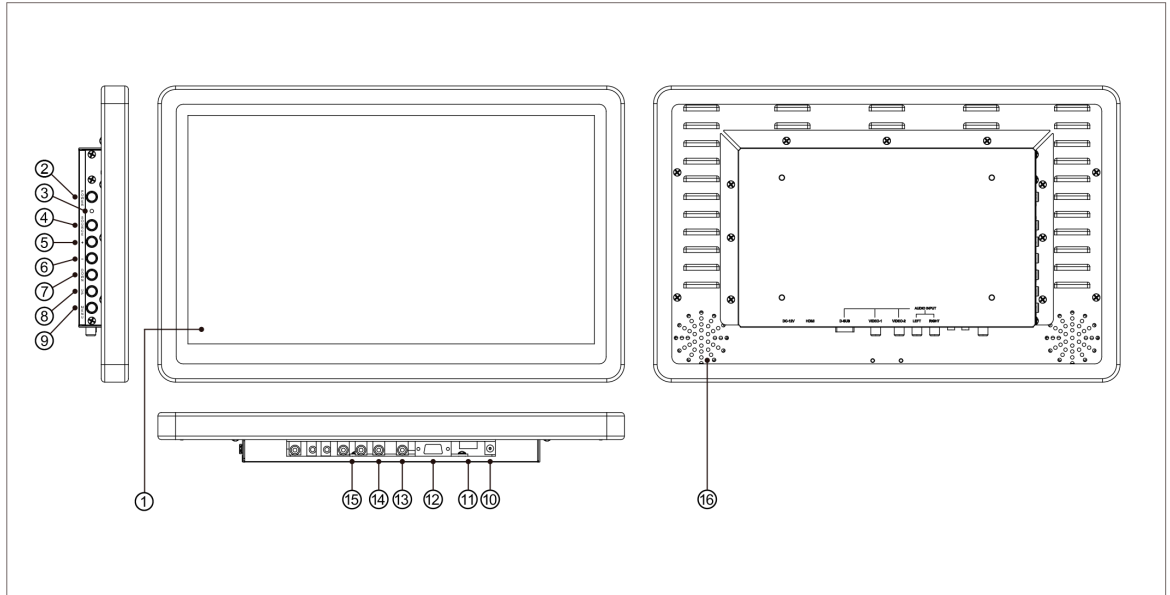
Specification

Display	Screen size	15.6" (Diagonal)
	Brightness	1400cd/m ²
	Contrast ratio	700:1
	Max resolution	1920(H) x 1080(V)
	Colors	16.7M
System	Compatibility	PC : VESA standard VGA to XGA 60Hz Video: NTSC, PAL, SECAM (auto detection)
	Frequency	Horizontal : 31.5 ~ 75Khz / Vertical : 56 ~ 75 Hz
Input	Input signal	Analog RGB, CVBS, HDMI
	Input connectors	D-sub for RGB, RCA for CVBS, HDMI
Output	Speaker	Max 2W x 2
OSD controls		Auto adjust, Brightness & Contrast, Size & Position, Color control, Language selection, OSD position, Video control, Input selection
Plug & play support		DDC 1/2B
Power	Power management	VESA DPMS
	Power consumption	Normal mode : T.B.D / DPMS mode : < 4Watts
	Power supply	Input : AC100 ~ 240V, 50 ~ 60Hz Output : DC12V/ 5A
Environments	Temperature	Operating : -10°C ~ +70°C(+14°F ~ +158°F) Storage : -20°C ~ +70°C(-4°F ~ +158°F)
	Humidity	Operating : 30% ~ 60%, Storage : 5% ~ 70%
Dimensions (mm)		395.2(W) x 251.0(H) x 42.0(D)

Dimensions



Functions



1. LCD Panel

Supports 1920 x 1080 resolution

2. Power Button

Turn on/off power of monitor

3. LED

LED indicator light

4. Source

Select video / PC / HDMI and exit menu

5. +

Change set value of selected item in the OSD menu

6. -

Change set value of selected item in the OSD menu

7. Down

Select items in the OSD menu

8. Up

Select items in the OSD menu

9. Menu (dual function)

Display a main menu on screen and select sub menu

10. DC-12V (power input port)

Connection for power (use the adapter supplied)

11. HDMI

Uses HDMI cable to connect a HDMI output port
*HDMI cable (optional)

12. D-sub (RGB input port)

Uses D-sub signal cable to connect PC D-sub

13. Video-1 (Video input port)

CVBS video input

14. Video-2 (Video input port)

15. Audio input (D-sub, video-1, video-2)

16. Speaker

Function Manual

☐ GUI (OSD) Structure

Name	Sound	Time	Option
Picture Mode	Sound Mode Standard	Sleep Timer	Restore Factory Default
Color Temperature	Surround Sound		Blending
Aspect Ratio	EQ		OsdDuration
Noise Reduction			
Screen			
Backlight			

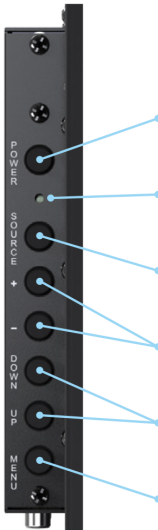
☐ Operation

- Press "MENU" button to active OSD menu screen.
- OSD is changed consequently as below when MENU/UP/DOWN is pressed continuously.

PICTURE → SOUND → TIME → OPTION

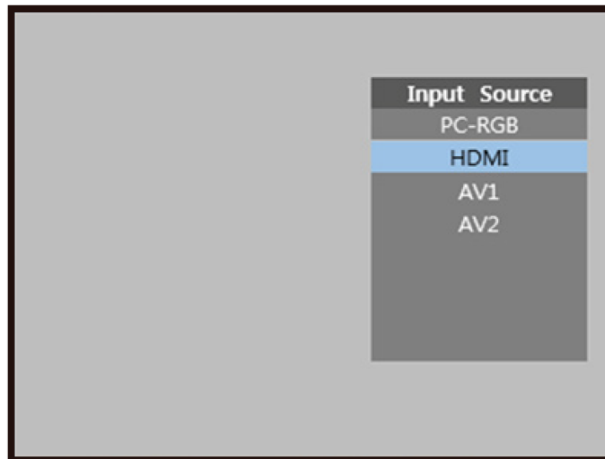
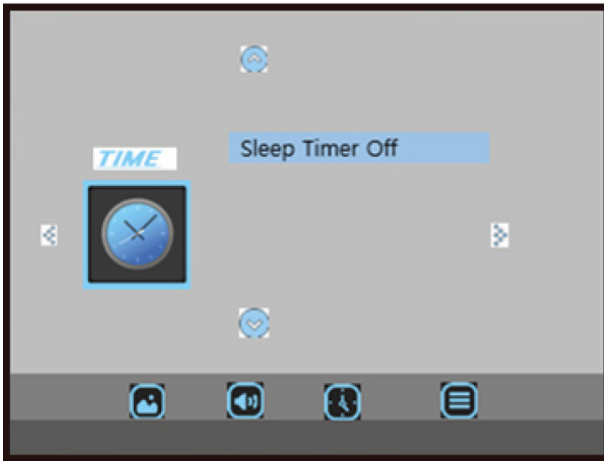
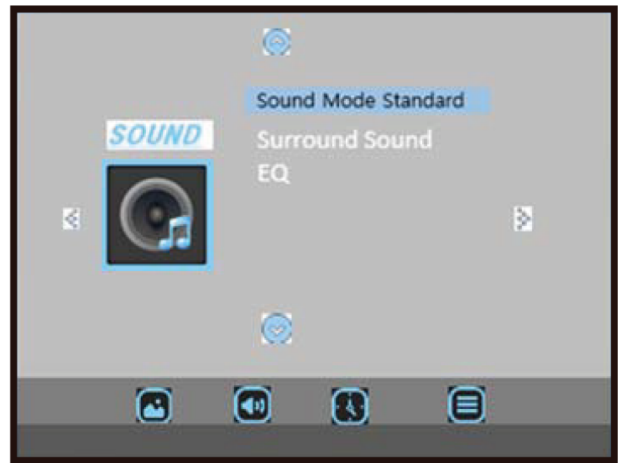
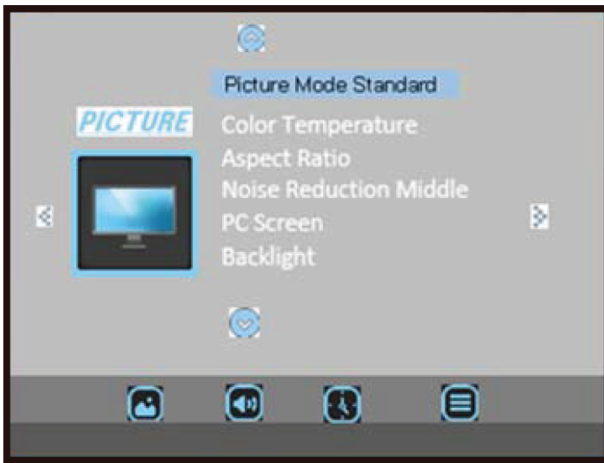
- Press source key to exit.

☐ OSD Button Operation & Location



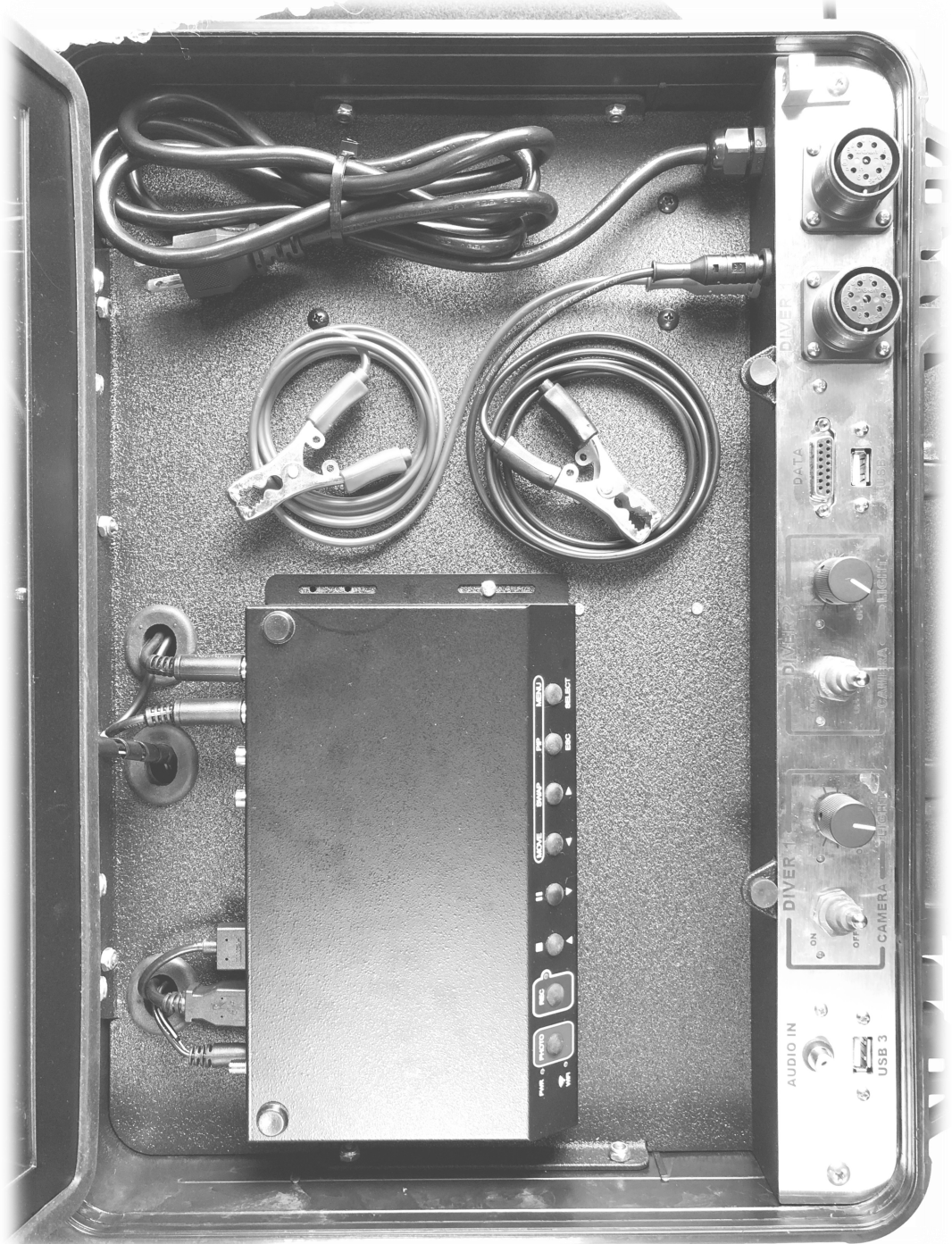
Name	Description
Power button	Monitor power on / off
LED	LED status: GREEN_normal operating / RED_standby mode / OFF_power off
Video source	Switch from HDMI, VGA, CVBS input signal
Increase / Decrease	Increase / Decrease value of volume adjustment. Select the OSD sub item & change value of OSD sub item.
Up / Down	Increase / Decrease the value of brightness adjustment. Select the function icon(highlighted icon) and sub item on GUI.
Menu	Pop-up OSD menu & OSD menu exit

Monitor GUI Settings



DC Models

- A) Any video system with a ".../DC" in the model# can be powered by 12 VDC or 100-240 VAC 50/60 hz.
- B) The 12 VDC input can be used as a battery backup to the AC input power. Just connect the DC power and operate with the AC as usual. If AC power goes out the DC input battery will take over without hesitation.
- C) Connect the + (plus) lead to the RED wire
And the – (negative) lead to the BLACK wire.



Camera and Light Mounting Options



DHM-60



HM-300

