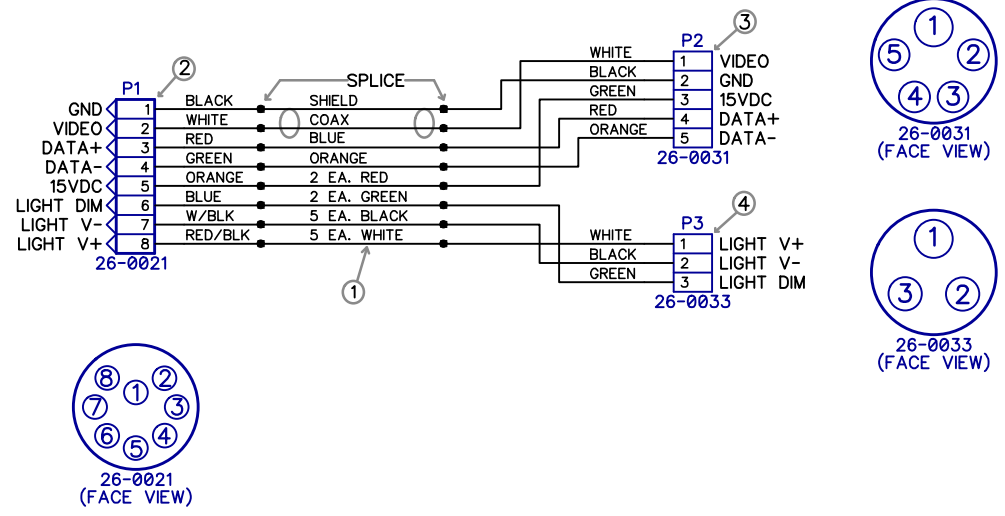


REV		DESCRIPTION	DATE	DRAWN	CHECKED	APPROVED



ITEM NO.	PART NUMBER	DESCRIPTION	QTY
1	C-2300C	CABLE C-2300C	LENGTH PER P.O.
2	26-0021	Conn In-Line 8 Pin Male Micro Wet-Con	1
3	26-0031	Conn Cable 5 Pin Female	1
4	26-0033	Conn Cable 3 Pin Female	1

OUTLAND TECHNOLOGY INC.
 38190 COMMERCIAL CT. SLIDELL, LA 70458 U.S.A.
 (985) 847-1104 WWW.OUTLANDTECH.COM

PROPRIETARY AND CONFIDENTIAL THE INFORMATION CONTAINED IN THIS DRAWING IS THE SOLE PROPERTY OF OUTLAND TECHNOLOGY, INC. SLIDELL, LOUISIANA, U.S.A. ANY REPRODUCTION IN PART OR AS A WHOLE WITHOUT THE WRITTEN PERMISSION OF OUTLAND TECHNOLOGY, INC. IS PROHIBITED.	ISSUE DATE	4/26/2017	TITLE		MC-IL-8-M to RMK-5-FS/RMG-3, C2300C CABLE ASSEMBLY
	DESIGNED	C. Daussin			
	DRAWN	J. Reichart	SIZE	DWG NO	25-0013
	CHECKED	C. Daussin	A	SHEET 1 OF 1	
	APPROVED	C. Daussin			REV