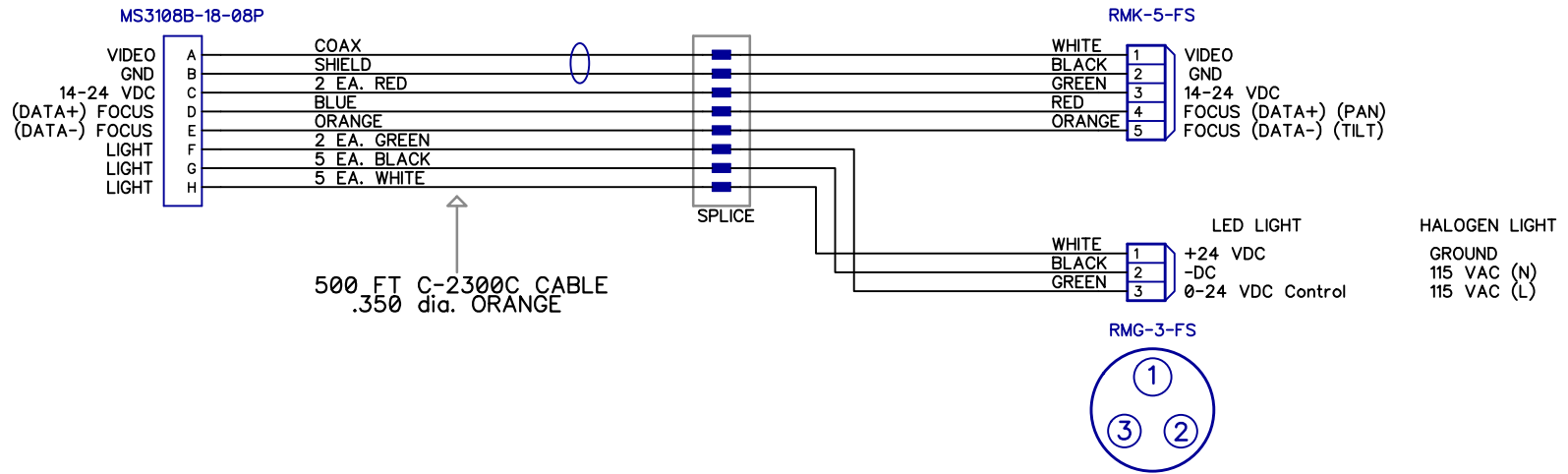


		REVISIONS			
REV	DESCRIPTION	DATE	DRAWN	CHECKED	APPROVED

(ohms)
7.6
2.2
4.1
7.8
7.8
4
1.8
1.8



PROPRIETARY AND CONFIDENTIAL
THE INFORMATION CONTAINED IN THIS DRAWING IS THE SOLE PROPERTY OF OUTLAND TECHNOLOGY, INC. SLIDELL, LOUISIANA, U.S.A. ANY REPRODUCTION IN PART OR AS A WHOLE WITHOUT THE WRITTEN PERMISSION OF OUTLAND TECHNOLOGY, INC. IS PROHIBITED.

ISSUE DATE
DESIGNED
DRAWN
CHECKED
APPROVED

12/7/2018
B. Mayfield
J.YATES

OUTLAND TECHNOLOGY INC.
38190 COMMERCIAL CT. SLIDELL, LA 70458 U.S.A.
(985) 847-1104 WWW.OUTLANDTECH.COM

TITLE
C-2303 Cable Assembly
SIZE
DWG NO
25-0036
REV
SHEET 1 OF 1