



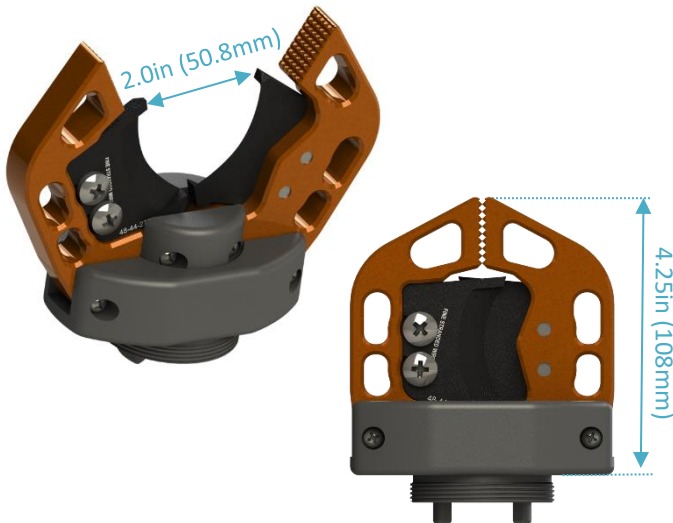
**MPH-201 | TRIDENT JAWS**

- GRABBING FORCE AT CENTER: 80 LBS (36.3 KG)
- MATERIAL: DELRIN
- MAX OPENING WIDTH: 4.33IN (110MM)
- WEIGHT IN AIR: 0.26 LBS (0.12 KG)
- WEIGHT IN WATER: 0.11 LBS (0.05 KG)



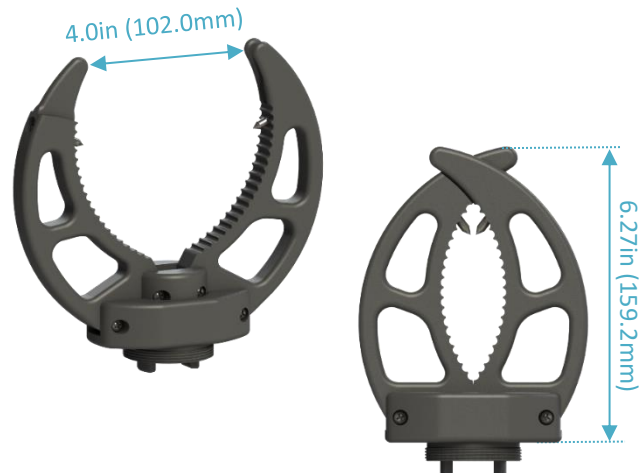
**MPH-202 | SMALL INTERLOCKING JAWS**

- GRABBING FORCE AT CENTER: 70 LBS (31.8 KG)
- MATERIAL: DELRIN
- MAX OPENING WIDTH: 3.52IN (89.3MM)
- WEIGHT IN AIR: 0.25 LBS (0.11 KG)
- WEIGHT IN WATER: 0.16 LBS (0.07 KG)



**MPH-204 | CUTTER JAWS**

- CUTTING FORCE: 300 LBS (136 KG)
- MATERIAL: DELRIN & ALUMINUM
- MAX OPENING WIDTH: 4.0 IN (102MM)
- WEIGHT IN AIR: 1.01 LBS (0.46 KG)
- WEIGHT IN WATER: 0.59 LBS (0.27 KG)



**MPH-205 | SEARCH AND RECOVERY JAWS**

- GRABBING FORCE AT CENTER: 120 LBS (54.4 KG)
- MATERIAL: DELRIN
- MAX OPENING WIDTH: 4.0 IN (102MM)
- WEIGHT IN AIR: 0.78 LBS (0.35KG)
- WEIGHT IN WATER: 0.26 LBS (0.12 KG)