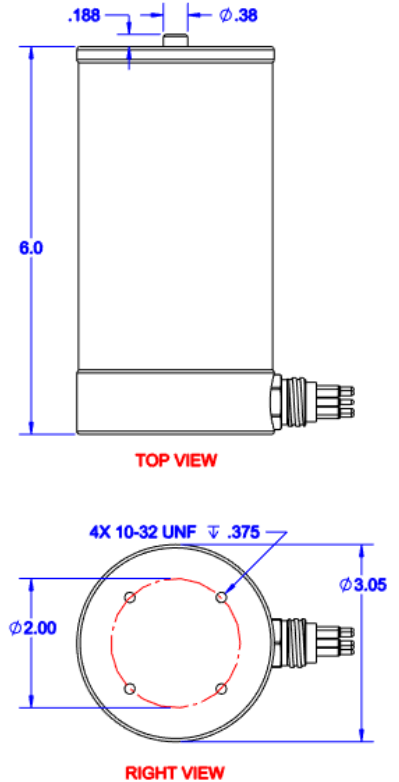


- **HIGH DEFINITION & STANDARD (optional)**
- **DURABLE, CORROSION-FREE HOUSING**
- **COMPACT SIZE**



USES INCLUDE: ROV, SLED OR DROP CAMERA, ETC.

MECHANICAL:

Diameter..... 3 in. (76 mm)
 Length (excluding connector)..... 6.0 in. (152 mm)
 Weight in air..... 1.55 lbs. (.63 kg)
 Weight in seawater..... 0.32 lbs. (0.15kg)
 Depth Rating..... 2,000 ft. (610 m)
 Tilt (Vert)..... 360° continuous
 Housing Material..... Delrin
 Port Material..... Acrylic

CAMERA PROPERTIES: (composite video)

Image Device... 1/2.8" SONY 2.1MP CMOS Sensor
 Sensitivity..... 001 lux
 Resolution..... 2MP 1080
 Lens..... 3.6 mm, F1.2
 Focus..... Fixed
 Horizontal FOV (in water)..... 70 degrees
 Standard Format..... NTSC

**NOTE: HD VIDEO LIMITED TO 1000ft (305M)
 CABLE TRANSMISSION IN HD USING RG59
 (std. Outland cable). FOR LONGER CABLES,
 STANDARD DEFINITION IS REQUIRED.**

ELECTRICAL:

Input Voltage..... 12VDC
 Power..... 150mA @12 VDC

CONNECTOR:

Standard Connector..... MCBH8M
 Mate for Standard Connector..... MCIL8F

1. Ground / common
2. VIDEO #1
3. Data + RS485
4. Data - RS485
5. +12 VDC regulated.
6. NC
7. NC or Address 0 (if using RS485)
8. NC or Address 1 (if using RS485)

OPTIONS:

1. PAL Format
2. Customer-specified connector
3. Standard Definition 960H Camera
4. Horizontal Rotation
5. Eliminate RS484 & wire Pin 3&4 to tilt motor