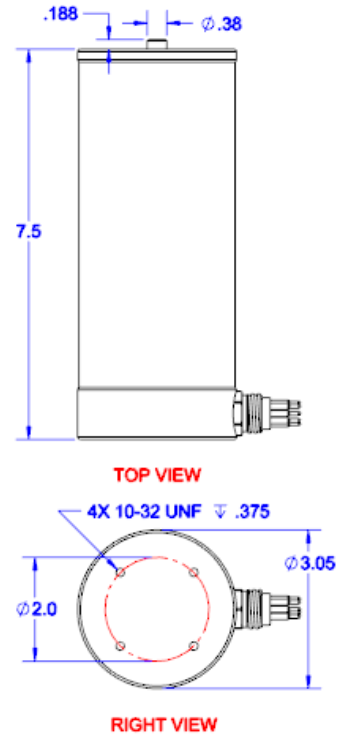




- **HIGH DEFINITION & STANDARD (optional)**
- **LASERS (75mm) STANDARD**
- **DURABLE, CORROSION-FREE HOUSING**
- **COMPACT SIZE**



USES INCLUDE: ROV, SLED OR DROP CAMERA, ETC.

**MECHANICAL:**

Diameter.....3 in. (76 mm)  
 Length (excluding connector)..... 7.50 in. (184 mm)  
 Weight in air.....1.4 lbs. (.63 kg)  
 Weight in seawater.....near neutral  
 Depth Rating.....2,000 ft. (610 m)  
 Tilt (Vert).....360° continuous  
 Housing Material.....Delrin  
 Port Material.....Acrylic

**CAMERA PROPERTIES: (composite video)**

Image Device....1/2.8" SONY 2.1MP CMOS Sensor  
 Sensitivity.....001 lux  
 Resolution.....2MP 1080  
 Lens.....3.6 mm, F1.2  
 Focus.....Fixed  
 Horizontal FOV (in water).....70 degrees  
 Standard Format.....NTSC

**LASER PROPERTIES:**

Laser Device.....650nm 5mW (Red) Laser Dot  
 Distance Between Dots.....2.95" (75mm)  
 Optical Line Power.....2.0-3.2mW  
 Wavelength at Peak Emission.....650nm  
 Maximum Beam Dot at 33ft (10m).....0.275in. (7mm)  
 Class.....IIIa

**ELECTRICAL:**

Input Voltage.....12VDC  
 Power.....250mA @12 VDC

**CONNECTOR:**

Standard Connector.....MCBH8M  
 Mate for Standard Connector.....MCIL8F

1. Ground / common
2. VIDEO #1
3. Data + RS485
4. Data - RS485
5. +12 VDC regulated.
6. VIDEO #2
7. NC or Address 0 (if using RS485)
8. NC or Address 1 (if using RS485)

**OPTIONS:**

1. PAL Format
2. Customer-specified connector
3. Standard Definition 960H Camera
4. Horizontal Rotation
5. Eliminate RS484 & wire Pin 3&4 to tilt motor

**NOTE: HD VIDEO LIMITED TO 1000ft (305M) CABLE TRANSMISSION IN HD USING RG59 (std. Outland cable). FOR LONGER CABLES, STANDARD DEFINITION IS REQUIRED.**